

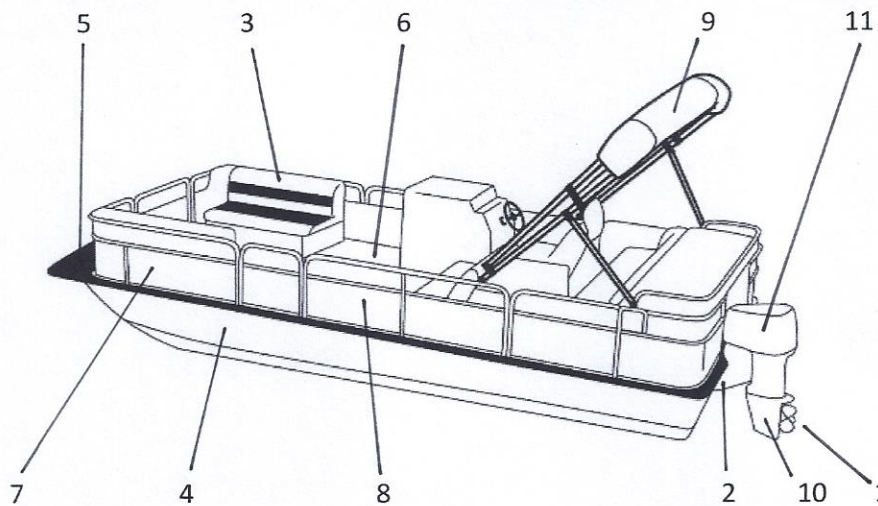
RADICAL RIDES, INC.

Florida law states a person must be at least 14 years old to operate a boat. It is **ILLEGAL** for the owner of any boat or any person having charge over or control of a boat to authorize or knowingly permit the same to be operated by a person under 14 years of age. Any person born after January 1, 1988 who operates a boat powered with a 10 HP or more motor must carry a PHOTO ID and either a Florida Boating Safety Education ID Card issued by the Florida Fish and Wildlife Conservation Commission (FWC) OR a Florida Boater Education Temporary Certificate. An acceptable PHOTO ID includes your name, address, date of birth, name of issuing organization and a recent photo.

I agree to return the vessel that I have rented within the rental period that I negotiated. If I fail to return the vessel for any reason other than mechanical malfunction that was not caused by misuse of the vessel, I agree to pay an additional sum equal to the standard hourly rate (or fraction thereof) that exceeds the rental period that I negotiated.

I understand that I am liable for all damages and costs incurred as a result of my negligence including but not limited to damages AND lost rentals due to damage to any vessel. I agree to **IMMEDIATELY REIMBURSE** Radical Rides, Inc. for these repairs and other costs. Most repair costs are calculated according to the table below. Any damage that is not priced on the repair table is billed at the actual cost to Radical Rides, Inc. plus the actual installation/repair cost charged by the repair facility.

DON'T LET THIS HAPPEN TO YOU, STAY 200 FEET FROM EVERYTHING AT ALL TIMES!!!!



1. Propeller \$350.00	5. Anchor Loss \$100.00	9. Bimini Top Damage \$500.00
2. Swim Ladder Damage \$250.00	6. Vinyl Floor Damage \$800.0	10. Lower Foot Damage \$2000.00
3. Seat Damage \$400.00	7. Front Railing Section \$350.0	11. Engine Overheating \$2500.00
4. Pontoon Dent/Damage \$1500.00	8. Side Railing Section \$350.00	

 Printed Name of Lessee Signature of Lessee Date

 Printed Name of Lessee Signature of Lessee Date

_____ Rental	_____ Time	_____ Total Fee
-----------------	---------------	--------------------